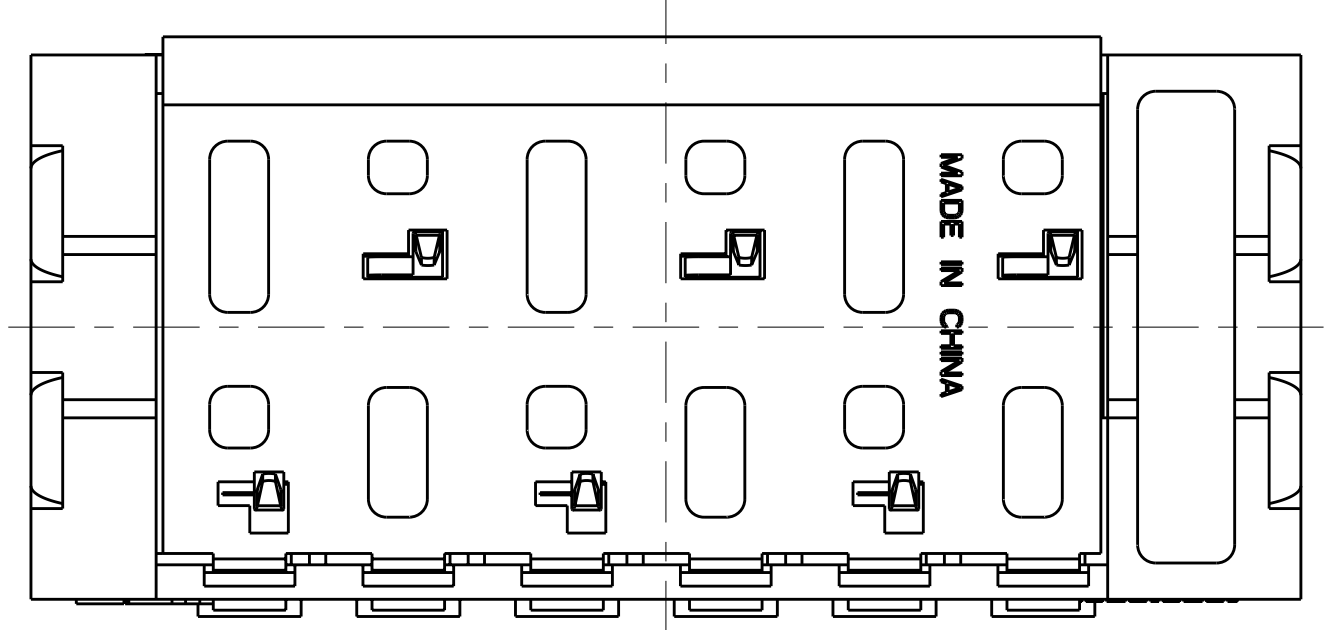
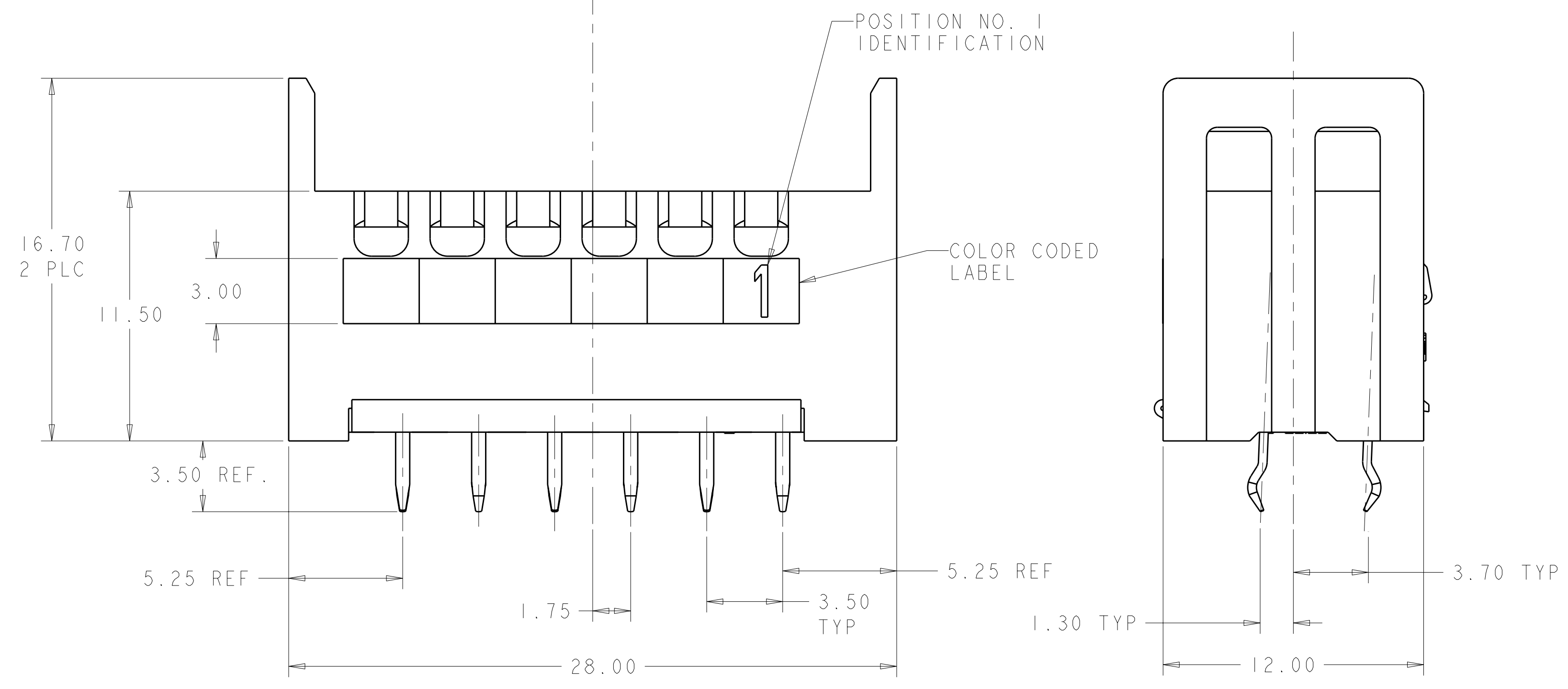
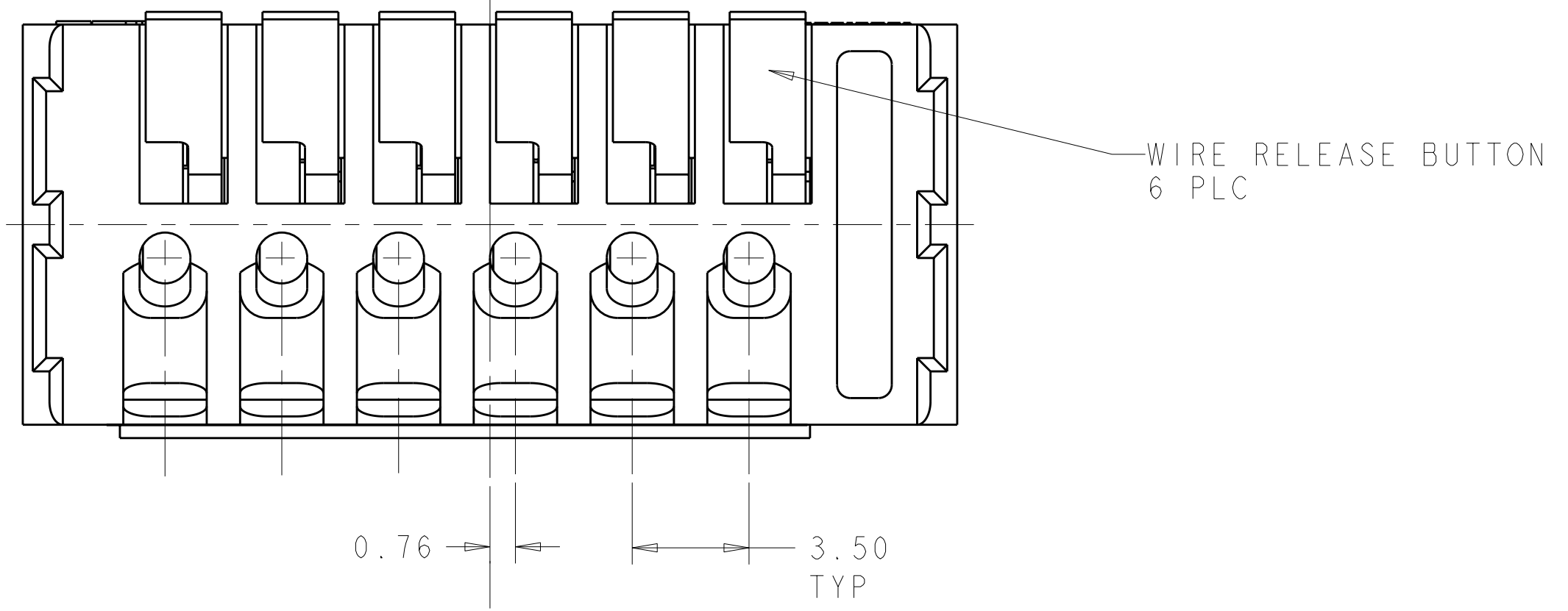


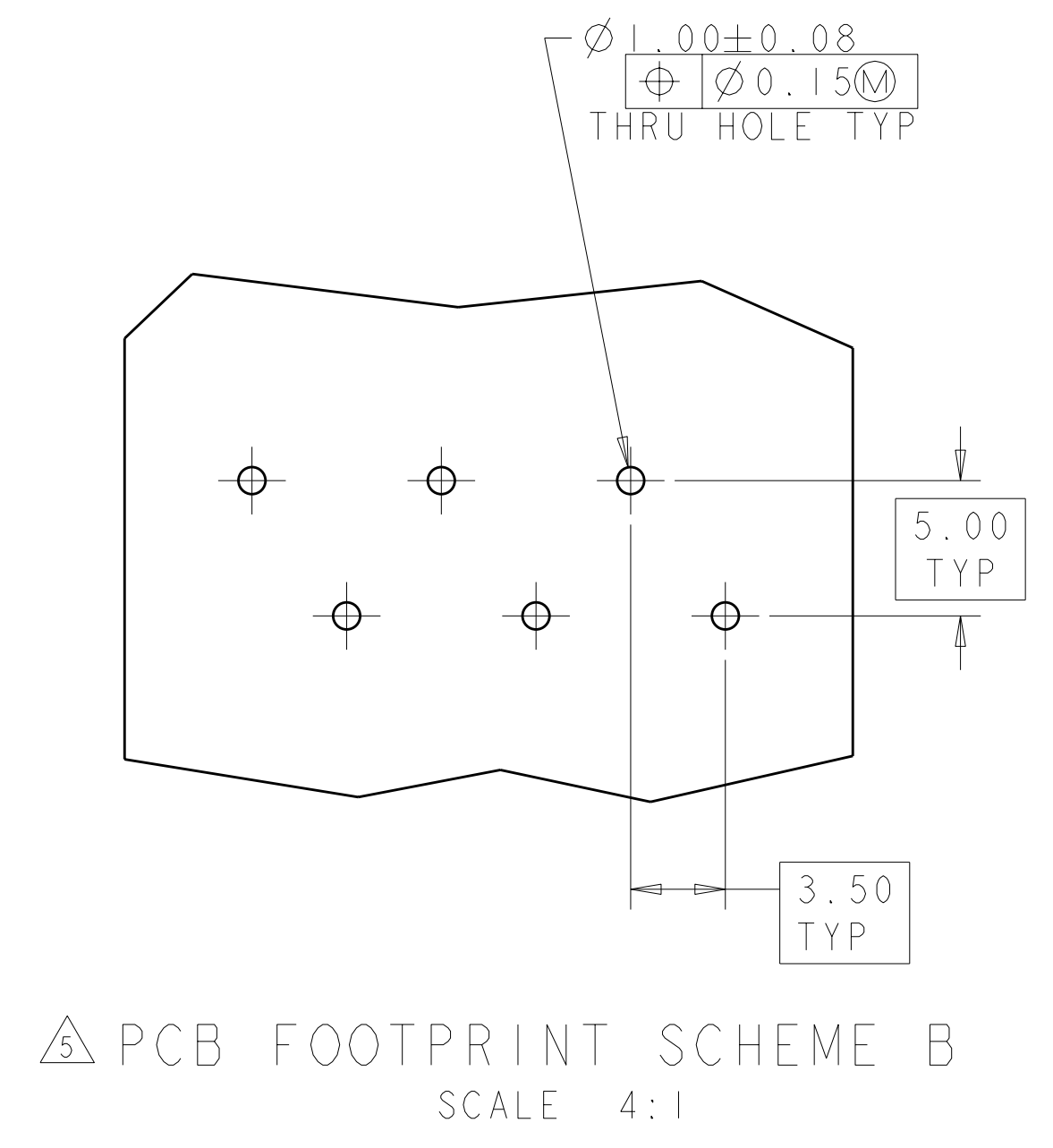
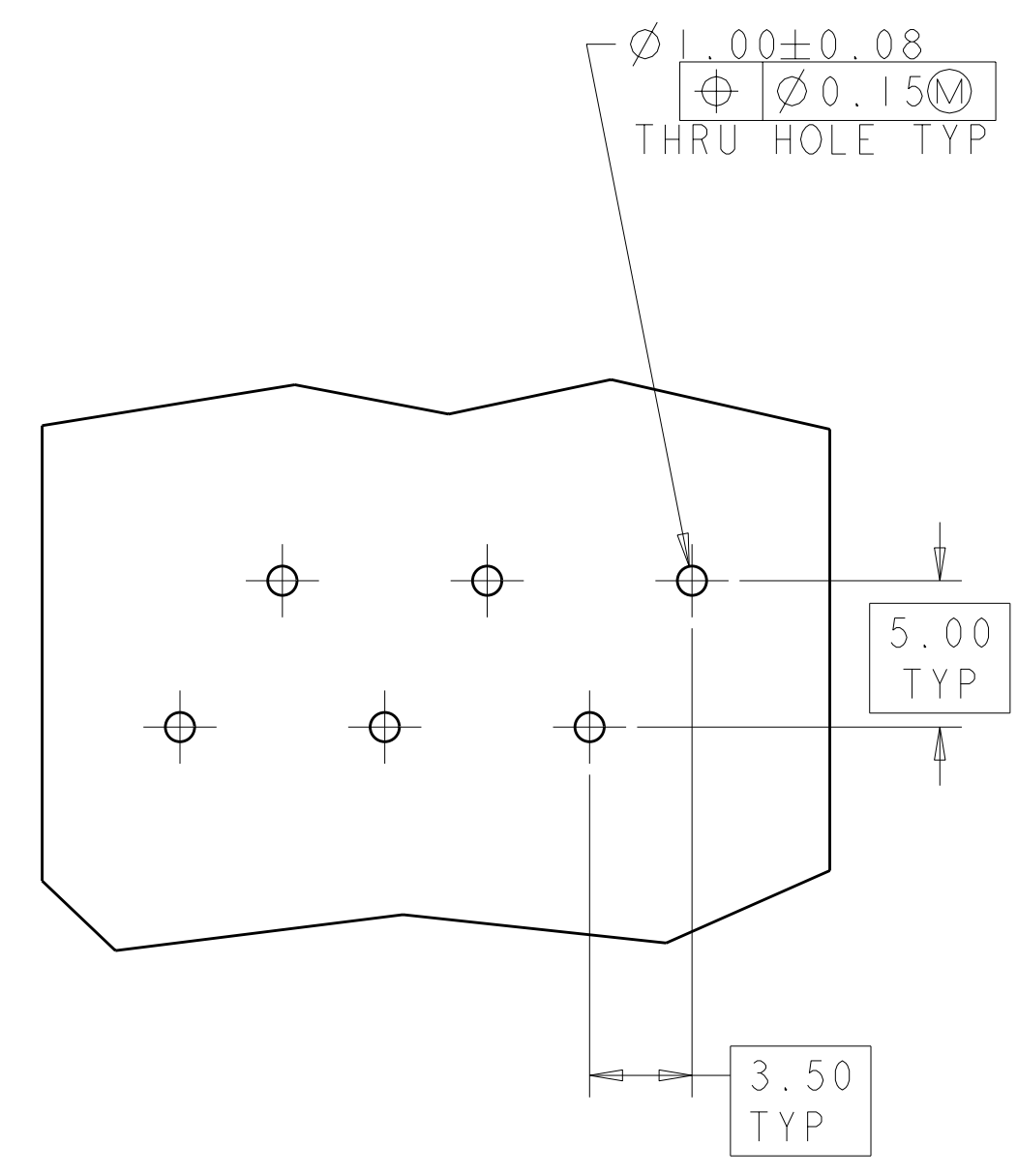
SCALE 4:1

1. TYPICAL CONNECTOR AS SHOWN ON THIS SHEET. SEE SHEET 2 FOR CONNECTOR PART NO WITH SELECT CONTACT LOADING, AND COLOR CODED LABELING.
2. MATERIAL; HOUSING: NYLON, ULV0 RATED; COLOR, NATURAL CONTACTS: PHOSPHOR BRONZE.
3. FINISH: CONTACTS: PREPLATED TIN, 2.5um MIN OVER 0.76um MIN NICKEL. CONTACT EDGES WILL BE UNPLATED.
4. ACCEPTABLE WIRE SIZE: 18AWG SOLID, 2.35 MAX INSULATION DIAMETER, 9.50±1.00 STRIP LENGTH
5. THE PCBs ARE VIEWED FROM THE CONNECTOR MOUNTING SIDE. CONNECTOR IS DESIGNED FOR USE IN A 1.575±0.178 THICK PCB.
6. CONNECTOR CAN BE USED IN COMBINATION WITH WIRE STRAIN RELIEF COVER, PART NOS 1604957-1 AND 1604957-2.

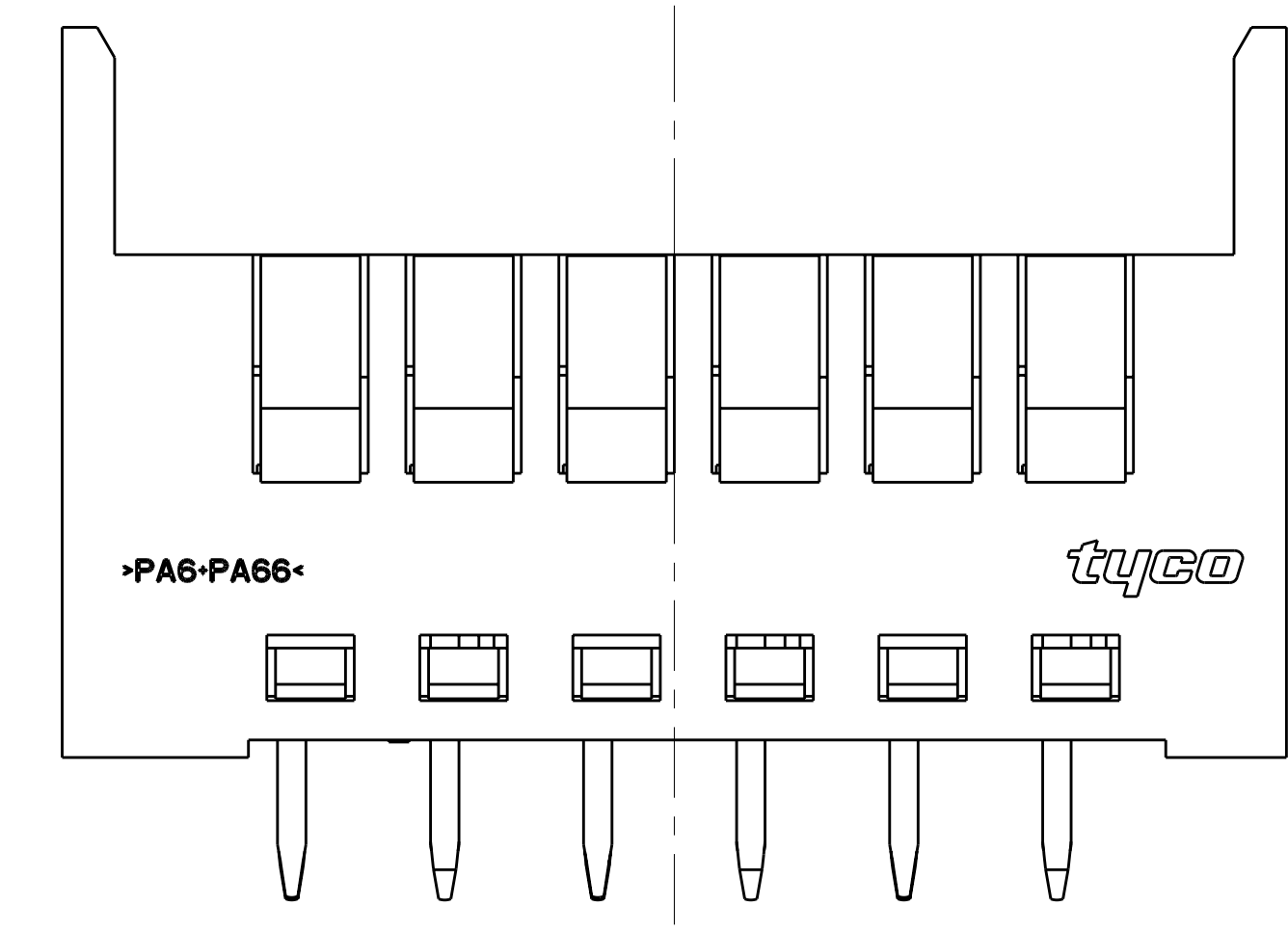


△ COLOR TEXT SHOWN FOR REFERENCE ONLY. POSITION 1 WILL HAVE NUMERAL 1. SEE TABLE ON SHEET 2 FOR COLOR CODE.

8. RoHS COMPLIANT.



LOC	DIST	REV	DESCRIPTION	DATE	DWN	APVD
-	-	1	PROPOSED	02JUN05	CGD	NP
-	-	2	ADD RoHS COMPLIANT AND ULV0 RATING NOTES	07OCT2006	WM	NP
-	-	-	-	-	-	-
-	-	-	-	-	-	-



TYCO ELECTRONICS
CONFIDENTIAL
AND PROPRIETARY

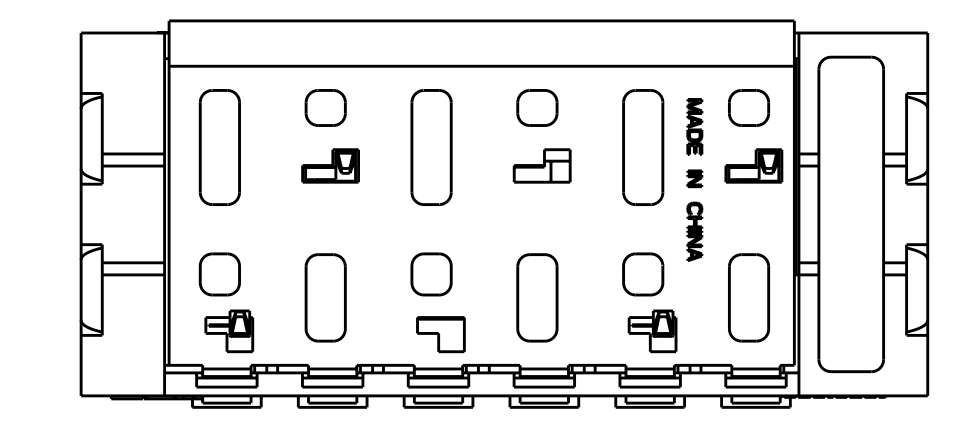
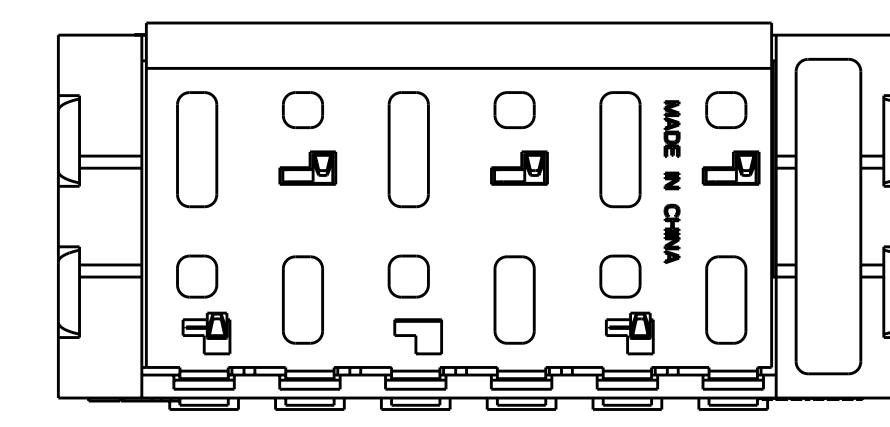
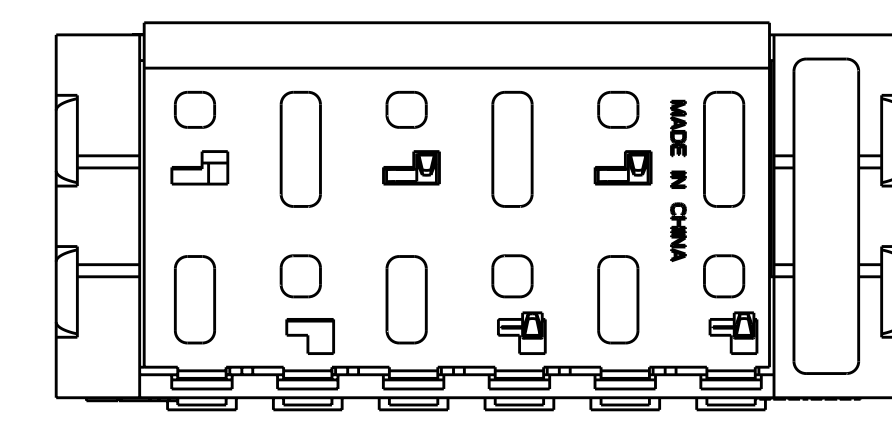
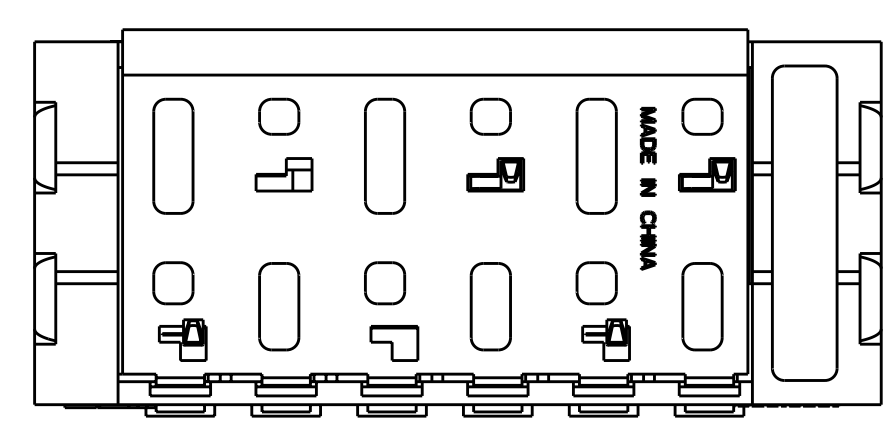
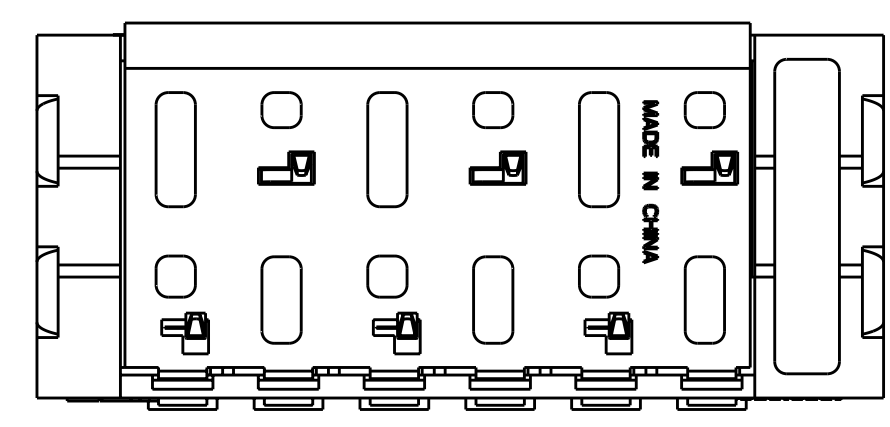
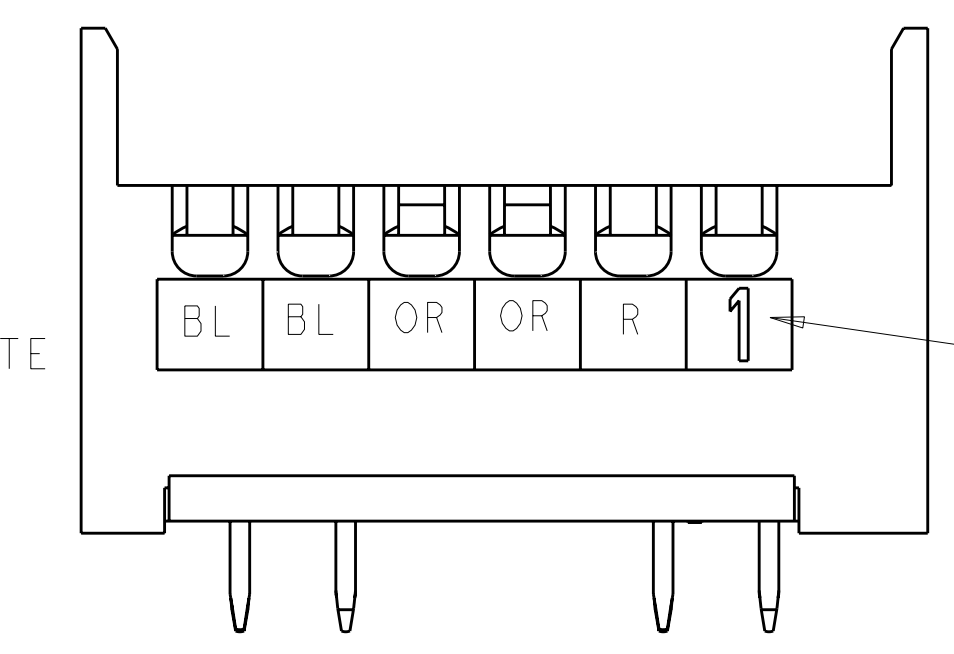
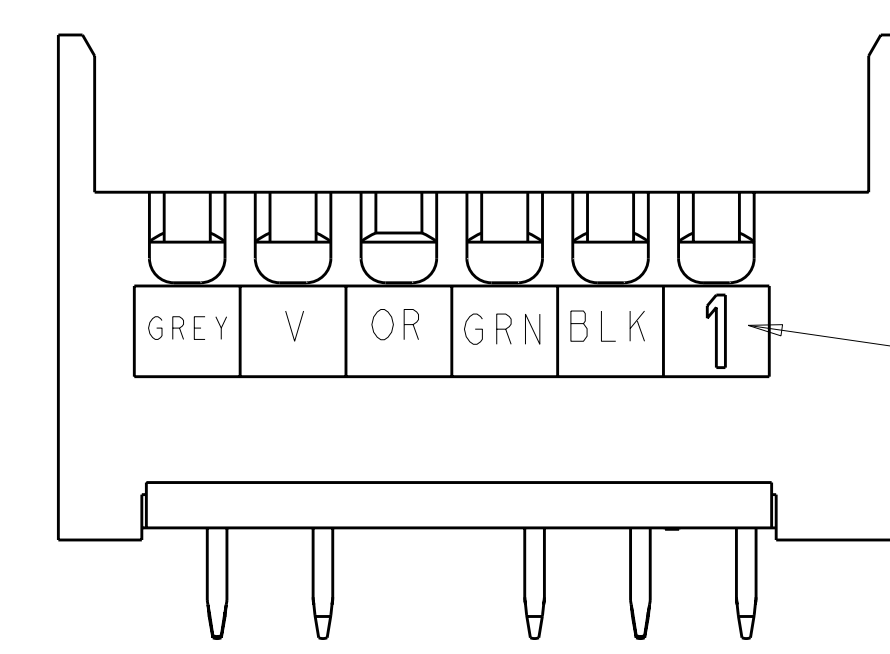
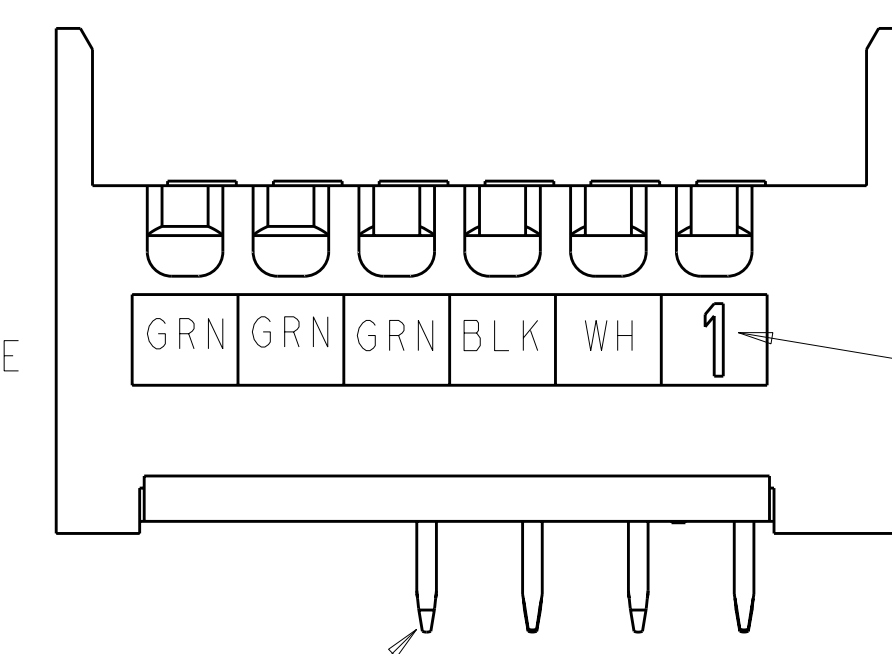
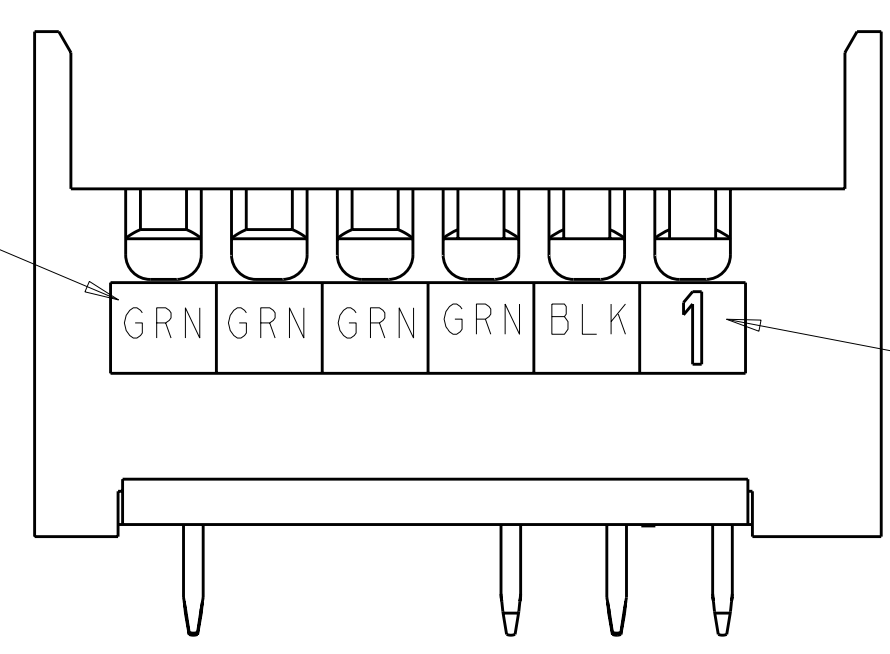
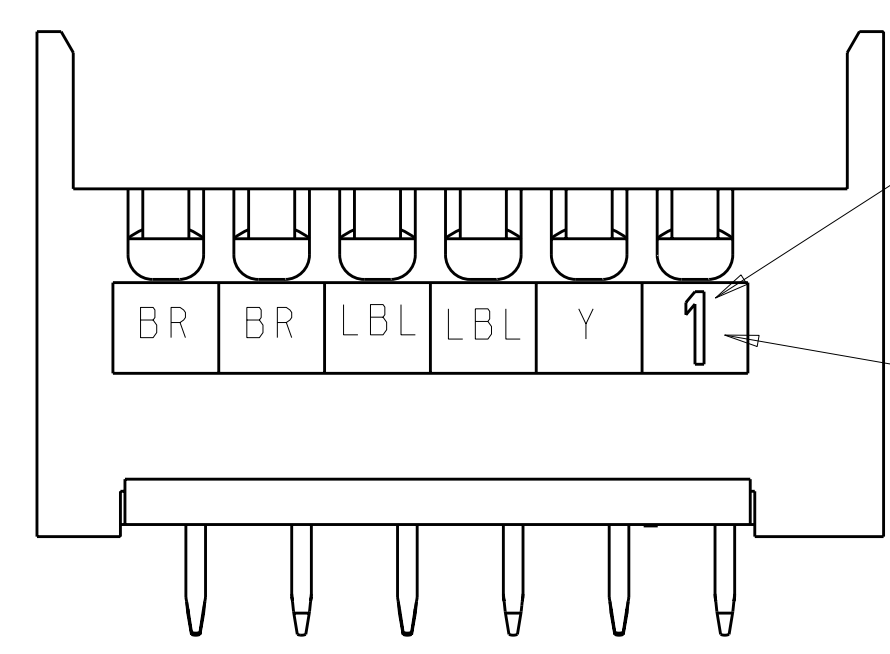
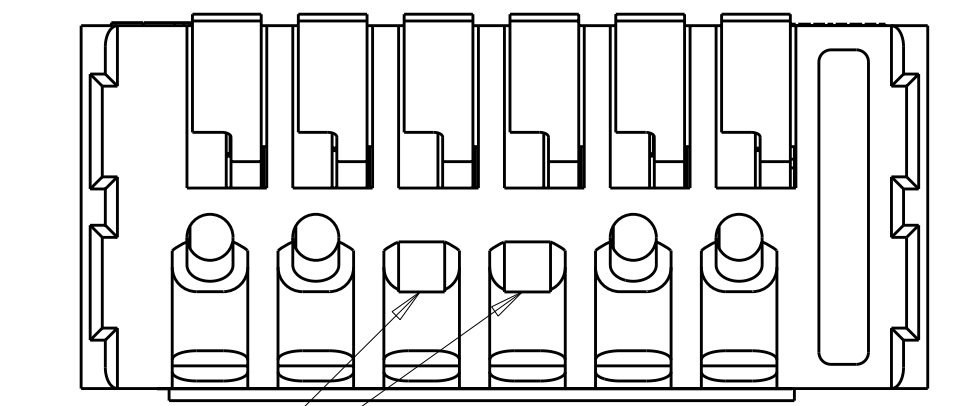
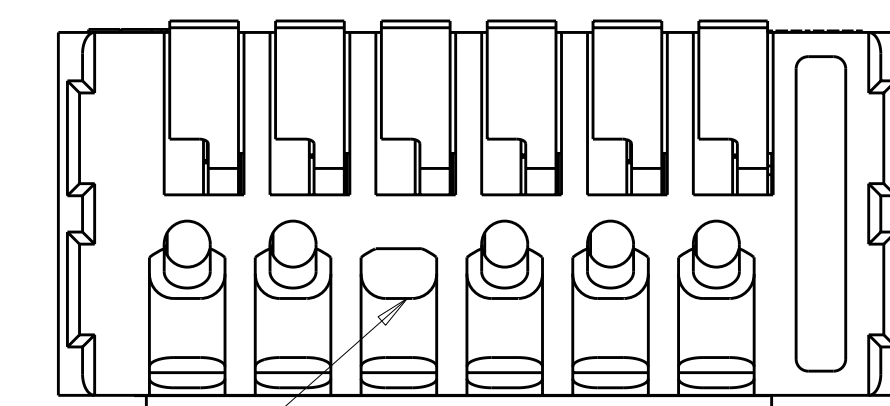
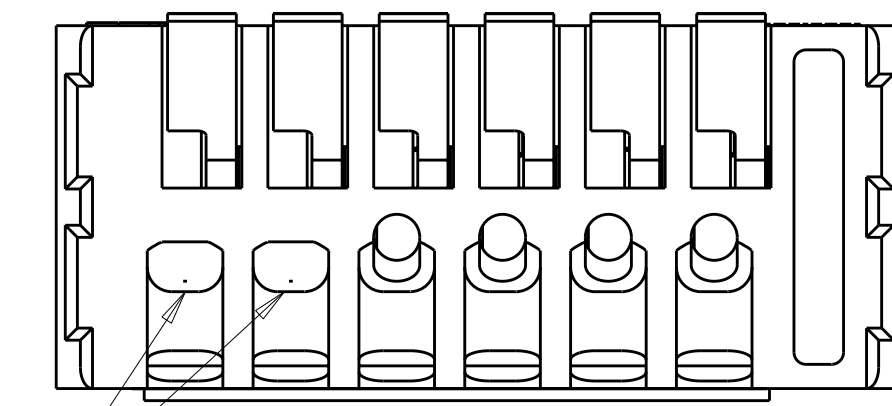
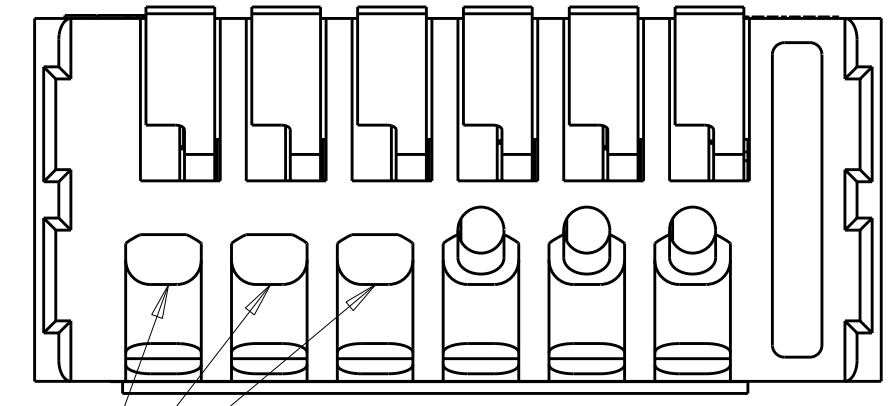
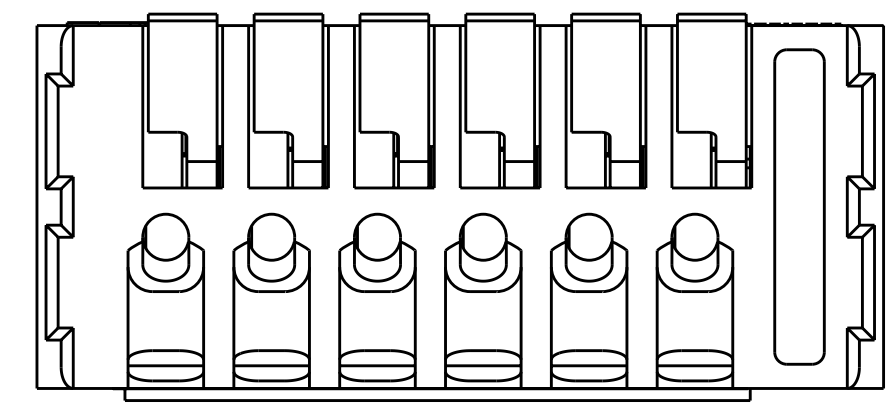
PROPOSED DESIGN
NOT PRODUCTION TOOLED

DESIGN IS SUBJECT TO
CHANGE WITHOUT NOTICE

1877086-8
1877086-7
1877086-6
1877086-5
1877086-4
1877086-3
1877086-2
1877086-1
PART NO

DIMENSIONS: mm		TOLERANCES UNLESS OTHERWISE SPECIFIED: 0 PLC ± 1 PLC ±0.13 3 PLC ± 4 PLC ± ANGLES ±		DWN: C DALLY 02JUN05 CHK: N RATE APVD:		Tyco Electronics Harrisburg, PA 17105-3608	
MATERIAL:		FINISH:		PRODUCT SPEC: APPLICATION SPEC:		PRELIMINARY ASSEMBLY, 8 SEGMENT, EXTERNAL BALLAST CONNECTOR	
WEIGHT:		CUSTOMER DRAWING		SIZE: CAGE CODE: DRAWING NO: A11 00779 C=1877086		RESTRICTED TO:	
SCALE: 6:1				SHEET: 1 OF 2		REV: 2	

LOC	DIST	REV	DATE	BY	APPD
-	-	1	-	-	-
-		2	SEE SHEET 1	-	-



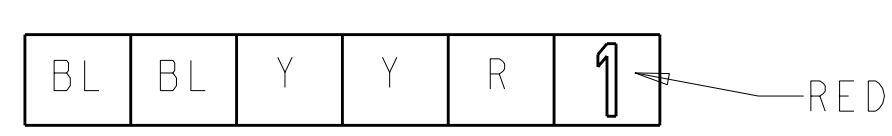
1877086-1
USE PCB SCHEME B

1877086-4
USE PCB SCHEME B

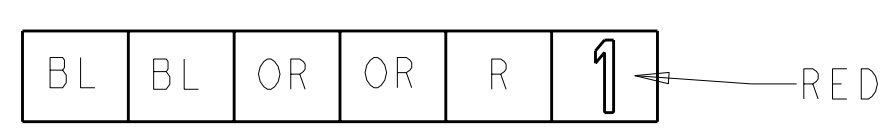
1877086-5
USE PCB SCHEME A

1877086-7
USE PCB SCHEME B

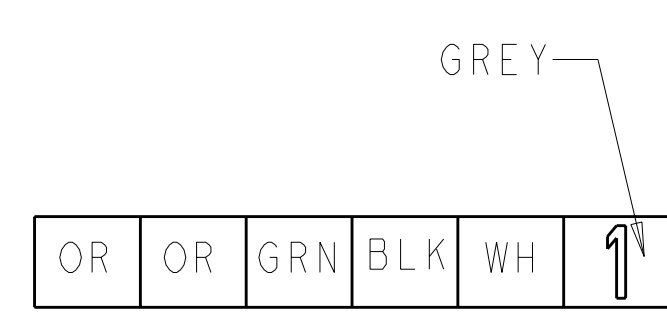
1877086-8
USE PCB SCHEME B



1877086-2
SAME AS 1877086-1,
EXCEPT FOR LABEL,
AS SHOWN



1877086-3
SAME AS 1877086-1,
EXCEPT FOR LABEL,
AS SHOWN



1877086-6
SAME AS 1877086-5,
EXCEPT FOR LABEL,
AS SHOWN

TYCO ELECTRONICS
CONFIDENTIAL
AND PROPRIETARY

PROPOSED DESIGN
NOT PRODUCTION TOOLED

DESIGN IS SUBJECT TO
CHANGE WITHOUT NOTICE

BLUE	BLUE	ORANGE	ORANGE	RED	RED	1877086-8
GREY	VIOLET	ORANGE	GREEN	BLACK	WHITE	1877086-7
ORANGE	ORANGE	GREEN	BLACK	WHITE	GREY	1877086-6
GREEN	GREEN	GREEN	BLACK	WHITE	GREY	1877086-5
GREEN	GREEN	GREEN	GREEN	BLACK	WHITE	1877086-4
BLUE	BLUE	ORANGE	ORANGE	RED	RED	1877086-3
BLUE	BLUE	YELLOW	YELLOW	RED	RED	1877086-2
BROWN	BROWN	LT. BLUE	LT. BLUE	YELLOW	YELLOW	1877086-1
POSN NO 6 COLOR	POSN NO 5 COLOR	POSN NO 4 COLOR	POSN NO 3 COLOR	POSN NO 2 COLOR	POSN NO 1 COLOR	PART NO

DIMENSIONS: mm 		TOLERANCES UNLESS OTHERWISE SPECIFIED: 9 PLC ± 1 PLC ±0.13 5 PLC ± 4 PLC ± ANGLES ± FINISH		DWN: C. DAILY 02JUN05 CHK: N. PATEL 02JUN05 APVD:		Tyco Electronics Tyco Electronics Harrisburg, PA 17105-3608	
MATERIAL: -		PRODUCT SPEC: -		APPLICATION SPEC: -		ASSEMBLY, 8 SEGMENT, EXTERNAL BALLAST CONNECTOR	
WEIGHT: -		SCALE: 6:1		SHEET: 2 OF 2		REV: 2	
CUSTOMER DRAWING		SIZE: A1		CAGE CODE: 00779		DRAWING NO: 1877086	